



MODEL H7772/H7773 STAINLESS STEEL TABLE INSTRUCTION SHEET

⚠ WARNING

You **MUST** clean and sanitize food contact surfaces before using this product. Failure to follow this warning may lead to illness!

Assembly

Assemble the table as shown in the photos and assembly drawing on this page. When installing the table top onto the large legs, make sure the leg buttons snap and lock into place.

Cleaning

Use a mild detergent, baking soda, or a vinegar-water solution to clean and sanitize your table. Always wipe the table dry with a soft cloth after cleaning.

Care

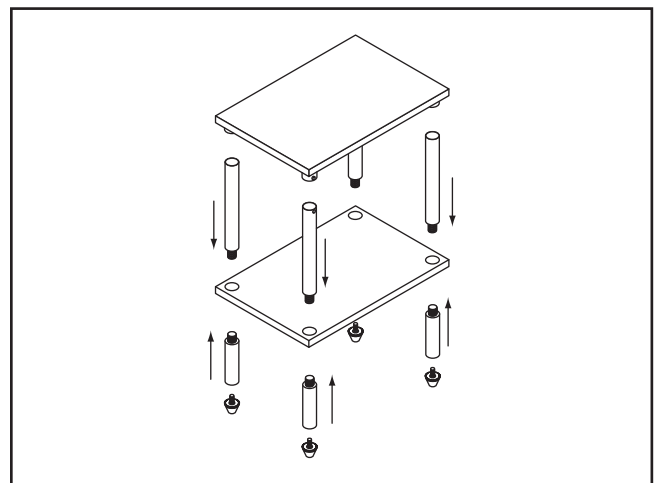
- Clean your table frequently to keep it sanitary and looking nice.
- Avoid cleaners that contain chlorine.
- Avoid using steel wool when scrubbing—small fragments can break off and rust in the table surface.
- Avoid prolonged contact with foods containing a lot of citrus, salt, or acid. These may leave a white stain that will require cleaning with a ScotchBrite pad to renew the surface.
- Always scrub in the same direction as the stainless steel polish lines in the surface.
- Avoid cutting directly on the table surface as this will rapidly dull your knives and leave small scratches in the table surface.



Model H7772.

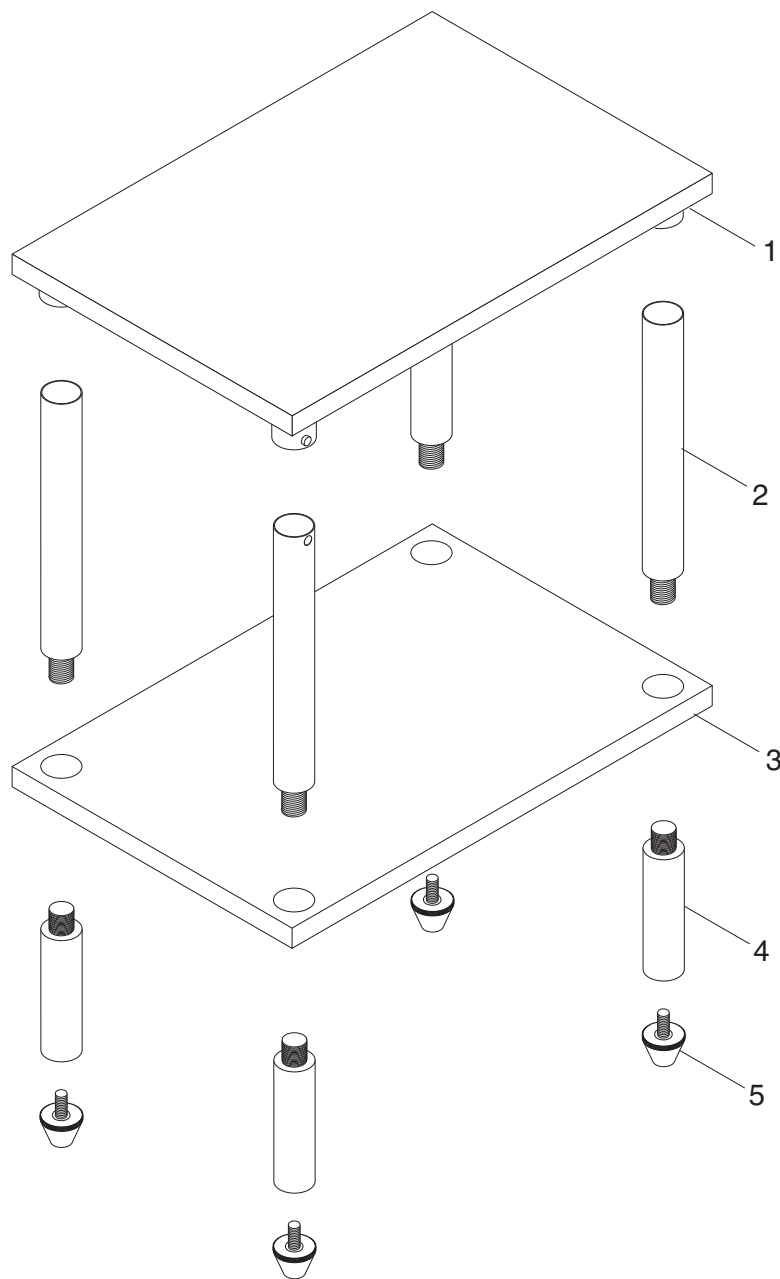


Model H7773.



Assembling the table.

H7772/H7773 Parts Breakdown and List



H7772

REF	PART #	DESCRIPTION
1	PH7772001	TABLE TOP
2	PH7772002	LARGE LEG
3	PH7772003	SHELF
4	PH7772004	SMALL LEG
5	PH7772005	FOOT

H7773

REF	PART #	DESCRIPTION
1	PH7773001	TABLE TOP
2	PH7772002	LARGE LEG
3	PH7773003	SHELF
4	PH7772004	SMALL LEG
5	PH7772005	FOOT